

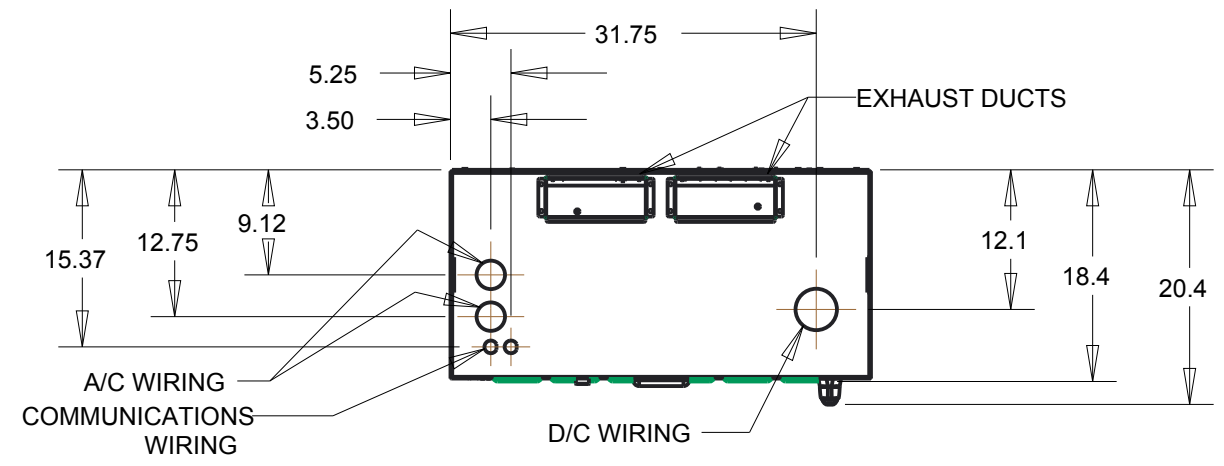
4

3

2

1

REVISION HISTORY				
ZONE	REV	DESCRIPTION	DATE	APPROVED
	1.0	RELEASE FOR PRODUCTION	09/29/14	JMW

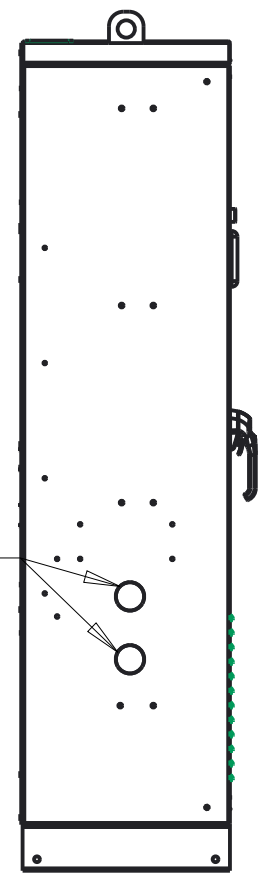


NEMA 1 RATED ENCLOSURE, COLD ROLLED STEEL, 14 GAUGE FINISH: GRAY POLYESTER PAINT, ROUGH TEXTURED SEMIGLOSS ON THE INSIDE AND OUTSIDE.

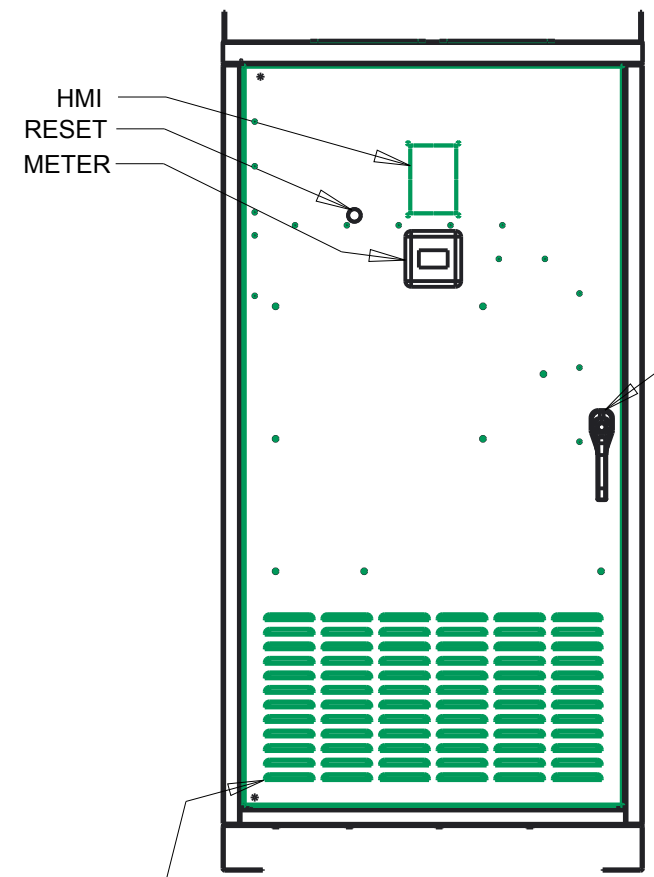
LIFTING EYES (2), 7 GAUGE STEEL

B

B



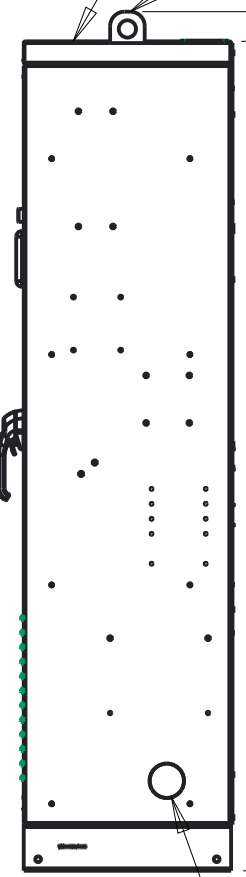
KNOCK-OUTS FOR ISOLATION TRANSFORMER CABLE



HMI
RESET
METER

HANDLE,
LOCKABLE

INTAKE VENTS

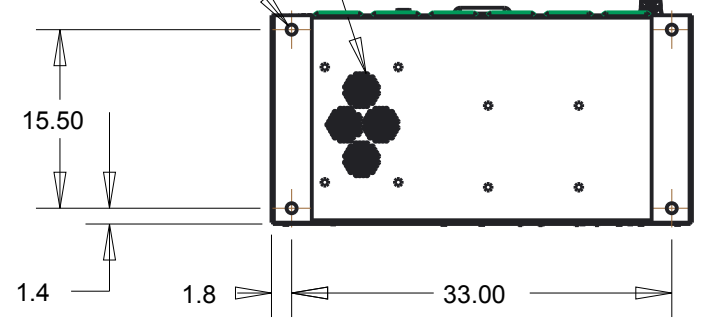


KNOCK-OUT FOR CAR CHARGER PORT

72.0
74.6

PERFORATED PUNCHOUT IN BASE FOR AIRFLOW TYP 4X

Ø .88 TYP 4X



NOTES:

1. THE FOUNDATION MUST BE SUITABLE FOR THE WEIGHT OF THE INVERTER. (APPROXIMATELY 780LBS.)
2. THE UNEVENNESS OF THE FOUNDATION MUST BE LESS THAN 0.25%
3. RECOMMENDED HARDWARE: 1/2-13

DO NOT DISTRIBUTE
PROPRIETARY PROPERTY OF PRINCETON POWER SYSTEMS
THIS DOCUMENT CONTAINS PROPRIETARY INFORMATION OF PRINCETON POWER SYSTEMS INC. AND ITS RECEIPT OR POSSESSION DOES NOT CONVEY ANY LICENSE OR RIGHTS TO COPY OR REPRODUCE IT DISCLOSE ITS CONTENTS OR TO MANUFACTURE, USE OR SELL ANYTHING IT MAY DESCRIBE, WITHOUT THE WRITTEN APPROVAL OF PRINCETON POWER SYSTEMS. REPRODUCTION OR COPYING, DISCLOSURE, OR USE OF THIS DOCUMENT OR ANY OF ITS CONTENTS WITHOUT THE EXPRESS WRITTEN AUTHORIZATION OF PRINCETON POWER SYSTEMS IS STRICTLY PROHIBITED.

APPROVALS	INITIAL	DATE
PREPARED BY	TRL	09/29/14
REVIEWED BY	JMW	09/29/15
APPROVED BY	TRL	09/29/15

PRINCETON POWER SYSTEMS
3175 Princeton Pike
Lawrenceville NJ, 08648
(609) 955-5390
(609) 751-9225
www.princetonpower.com

UNLESS OTHERWISE SPECIFIED TOLERANCES: MACHINED PARTS: FRACTIONS: ± 1/32 DECIMALS: X.X: ± 0.030 X.XX: ± 0.015 X.XXX: ± 0.005 ANGLES: ± 1/2°		DESCRIPTION	
SIZE		DWG#	REV
B		2575-0047	1.0
SCALE	FILE #	SHEET 1 OF 1	
0.060	100KW_PWM_UL		

4

3

2

1

A

A